



EI –Transformers with terminal blocks– 500VA > 1500VA

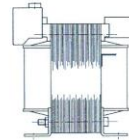
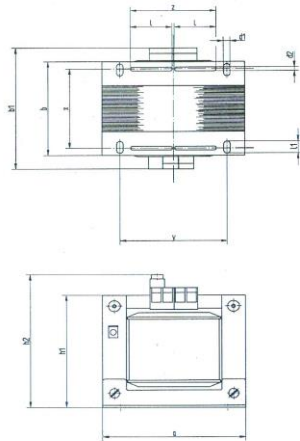
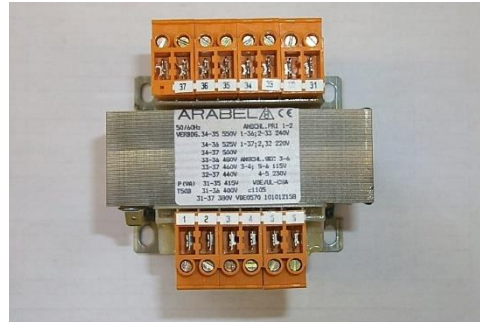
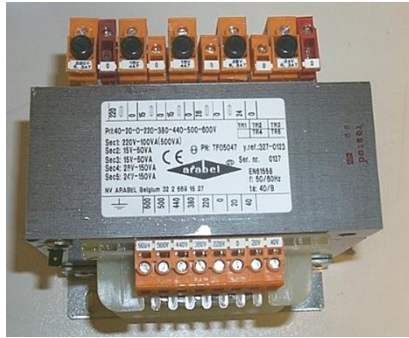
EI – transformers with terminal blocks

One or two chamber technique VDE0570

EN61558 , IEC742 , CE

VPI (vacuum pressurized impregnated)

Optional : Multiple windings, electrostatic screens , fuseholders , Fast-On terminal blocks , thermal switches/fuses.



TYPE	VA	η	G	a	b	b1	b2	d1	d2	z	l	l1	x	y	h1	h2
		%	kg.													
TUEK 0.3	500	92	5.3	120	102	100	100	5.8	-	-	-	11.8	83	90	118	120
TUEK 0.4	600	93	6.7	120	124	120	123	5.8	-	-	-	11.8	107	90	118	120
TUEK 0.5	700	93	8.2	150	98	105	123	5.8	3.5	74.5	43.5	10.5	82	104	145	160
TUEK 0.6	800	94	8.7	150	106	117	134	7.0	3.5	93.0	43.5	12.5	85	122	147	160
TUEK 0.8	1000	94	11.3	170	112	122	152	7.2	3.5	93.0	43.5	12.5	92	135	156	165
TUEK 1	1250	95	12.0	170	122	132	161	7.2	3.5	92.0	43.5	12.5	102	135	156	165
TUEK 1.25	1500	96	13.7	170	131	141	171	7.2	3.5	92.0	43.5	12.5	111	135	156	165
EI 150NB	900	96	12.5	150	120	110	124	7.0	5.0	90.0	43.0	12.5	102	100	135	162.5
EI150NC	1000	96	13.8	150	145	153	-	7.0	5.0	93.0	43.5	12.5	126	122	133	146.0
EI174/102	1500	97	20.7	174	138	-	148.5	6.5	3.5	92.0	43.5	12.5	117	135	148	160.0

ARABEL N.V.
Tel. : 00 32 2 569 15 27

Ijsbergstraat 40-42
Fax : 00 32 2 569 23 70

B-1701 ITTERBEEK
email : info@arabel.be

België
Web. : www.arabel.be