



EI –Transformers with terminal blocks– 20VA > 400VA

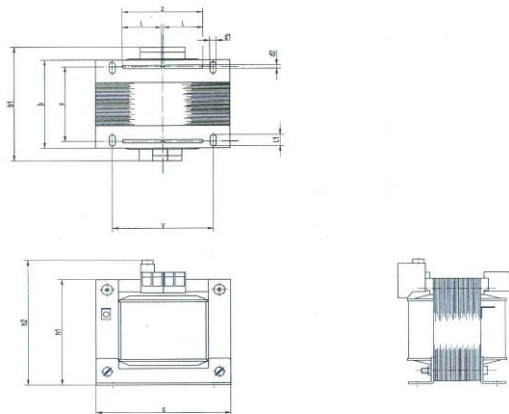
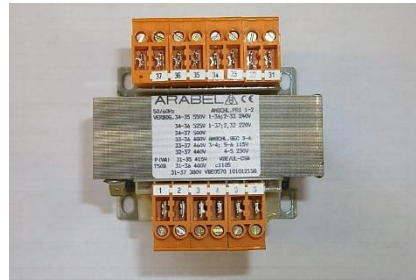
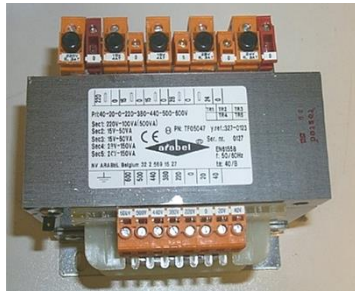
EI – transformers with terminal blocks

One or two chamber technique VDE0570

EN61558 , IEC742 , CE

VPI (vacuum pressurized impregnated)

Optional : Multiple windings, electrostatic screens , fuseholders , Fast-On terminal blocks , thermal switches/fuses.



| TYPE | VA | η | G | a | b | b1 | d1 | d2 | z | l | l1 | x | y | h1 | h2 |
|-----------|-----|--------|------|-----|------|-----|-----|-----|----|----|--------|----|------|-----|-----|
| | | % | kg. | | | | | | | | | | | | |
| TUEK 20 | 20 | 80 | 0.50 | 60 | 51 | 80 | 4.8 | 3.5 | 36 | 16 | 8.7 | 39 | 44 | 64 | 66 |
| TUEK 30 | 30 | 83 | 0.56 | 66 | 56 | 67 | 4.8 | - | - | - | 8.0 | 45 | 50 | 76 | 87 |
| TUEK 40 | 40 | 85 | 0.67 | 66 | 61.5 | 75 | 4.8 | - | - | - | 8.0 | 49 | 50 | 76 | 87 |
| TUEK 50 | 50 | 86 | 0.80 | 66 | 66 | 80 | 4.5 | - | - | - | 8.0 | 55 | 50 | 76 | 87 |
| TUEK 60 | 60 | 87 | 1.25 | 78 | 58.5 | 88 | 4.8 | 3.5 | 45 | 20 | 8.7 | 45 | 56 | 70 | 80 |
| TUEK 70 | 80 | 88 | 1.65 | 84 | 64 | 74 | 4.8 | - | - | - | 8.0 | 52 | 64 | 90 | 100 |
| TUEK 80 | 100 | 89 | 2.00 | 84 | 64 | 74 | 4.8 | - | - | - | 8.0 | 52 | 64 | 90 | 100 |
| TUEK 0.1 | 150 | 90 | 2.90 | 84 | 76 | 87 | 5.8 | - | - | - | 8.0 | 64 | 64 | 90 | 100 |
| TUEK 0.13 | 200 | 90 | 3.25 | 96 | 80.5 | 82 | 5.8 | - | - | - | 8.7 | 65 | 84.5 | 100 | 110 |
| TUEK 0.16 | 250 | 91 | 3.87 | 96 | 89 | 90 | 5.8 | - | - | - | 8.7 | 73 | 84.5 | 100 | 110 |
| TUEK 0.2 | 300 | 91 | 4.25 | 96 | 105 | 104 | 5.8 | - | - | - | 8.7 | 90 | 84.5 | 100 | 110 |
| TUEK 0.25 | 400 | 92 | 4.46 | 120 | 92 | 90 | 5.8 | - | - | - | 11.839 | 75 | 90 | 120 | 130 |